



Discrete 555 Timer Kit



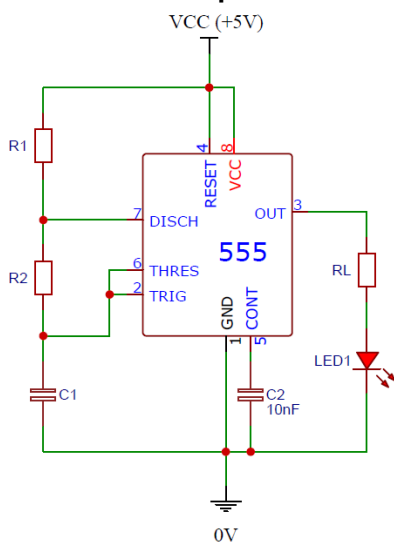
Discreet version of the popular 555 timer IC. This educational product is designed to give you an insight into the inner workings of a 555 timer IC as well as proving soldering practice.

Two version of this kit are available, the standard kit and the EZ version. The EZ version features increased size and spacing of the transistor pads making soldering of the transistors easier.

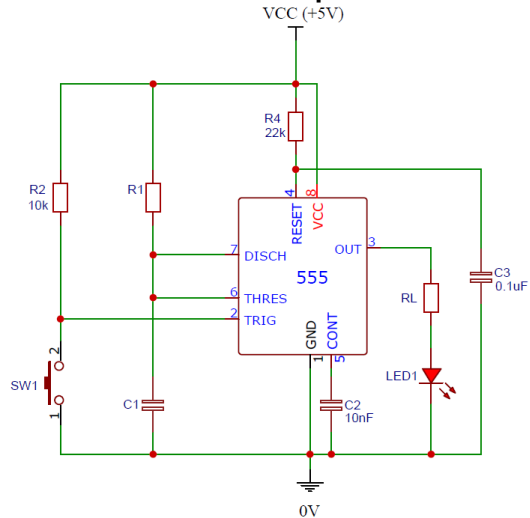
Features

- Timing from microseconds to hours
- Astable or monostable operation
- Adjustable duty cycle
- Compatible with the Sloth Byte “4-Bit Binary and Hexadecimal Kit”

Astable Operation



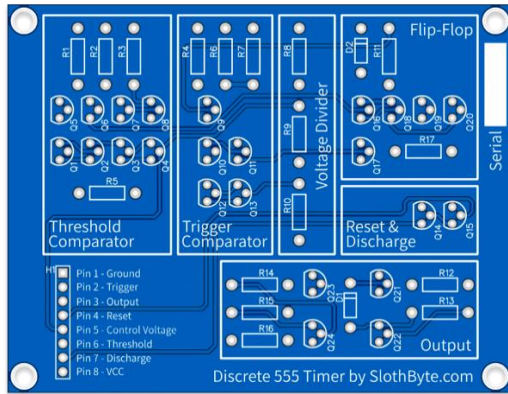
Monostable Operation





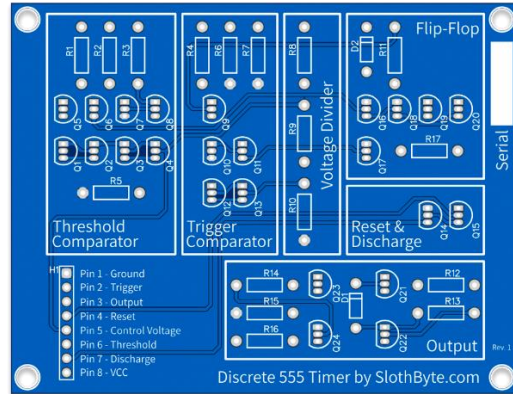
EZ Version

Increased transistor pad size and spacing. Ideal for beginners or those just wanting to make things a little easier.



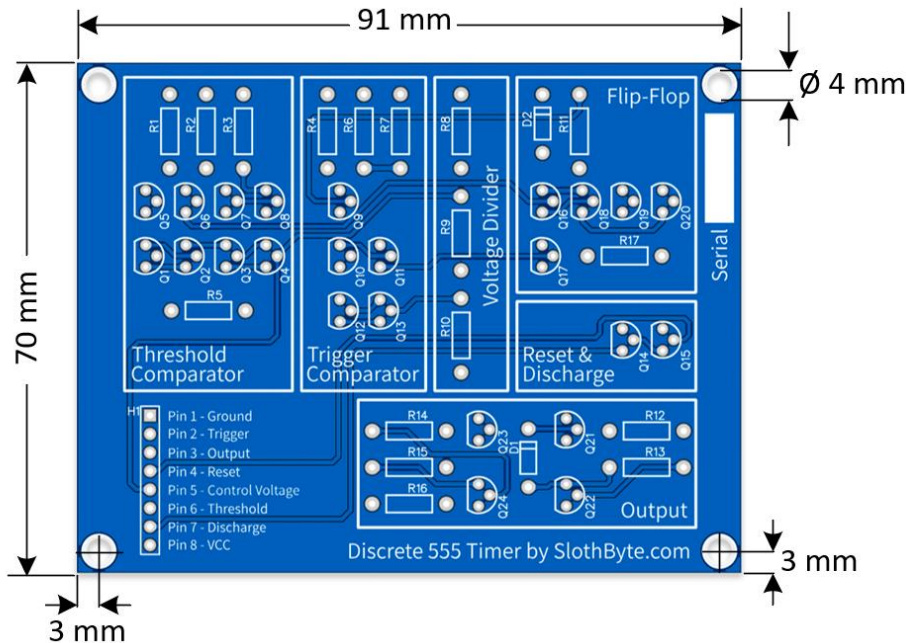
Standard Version

Standard "small" transistor pads and spacing. Ideal for those wanting to add a challenge to their project.



Measurements (not to scale)

Measurements are the same for both the standard and EZ version.





Technical Data

Dimensions (W x H):	91 x 70 mm
PCB Thickness:	1.6 mm
Power Supply:	5 V dc

Extent of supply

PCB
All components*
8-way header for electrical connections*
Detailed assembly instructions**

* If purchased as a kit.

** pdf download link included with order.

This product is an educational hobby kit; it is not for use in life-critical systems or where failure could lead to the risk of injury or death. The technical data contained herein has been provided solely for informational purposes and is not legally binding. This datasheet is subject to change, technical or otherwise.

