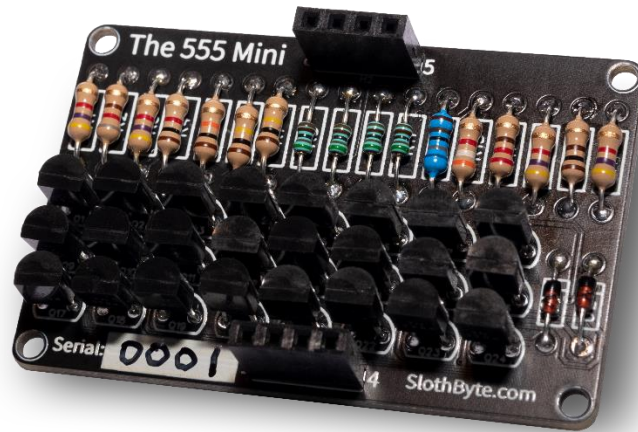




## The 555 Mini Kit



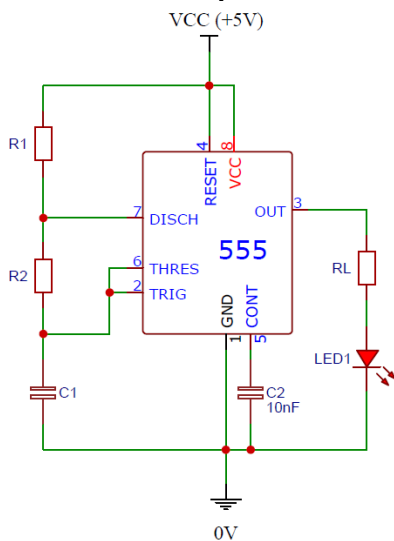
Discreet version of the popular 555 timer IC. This educational product is designed to give you an insight into the inner workings of a 555 timer IC as well as proving soldering practice.

This is the MINI version measuring just 56 x 36 mm.

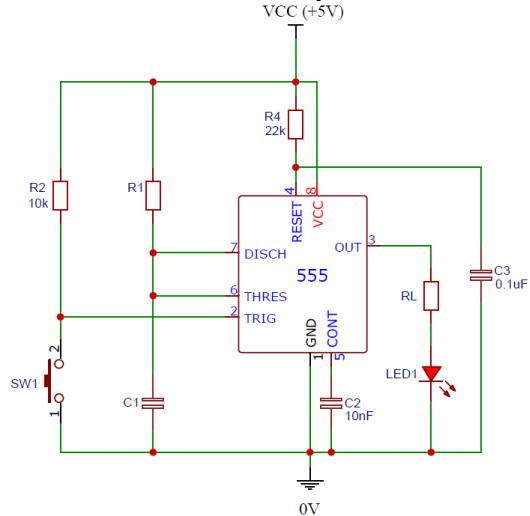
### Features

- Timing from microseconds to hours
- Astable or monostable operation
- Adjustable duty cycle

#### Astable Operation

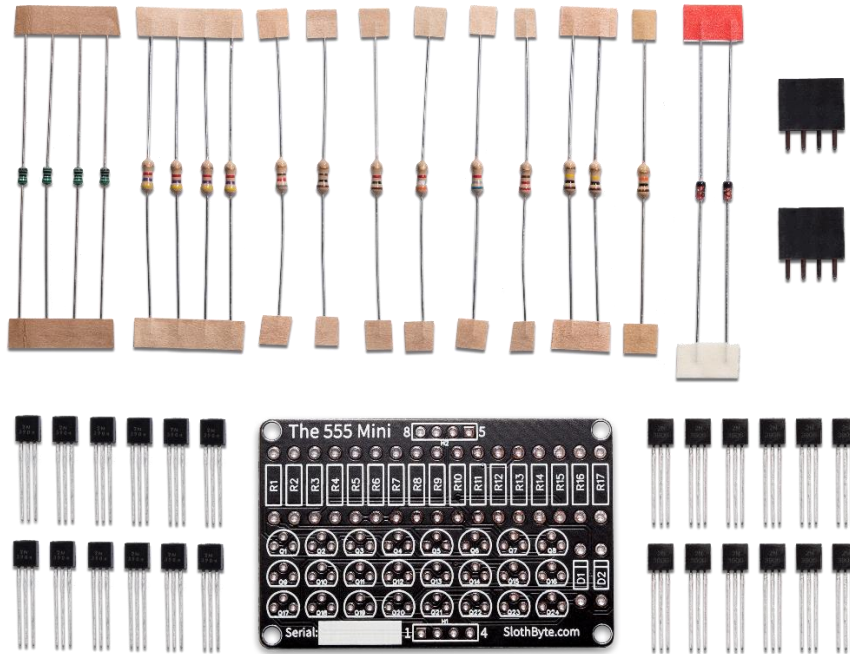


#### Monostable Operation



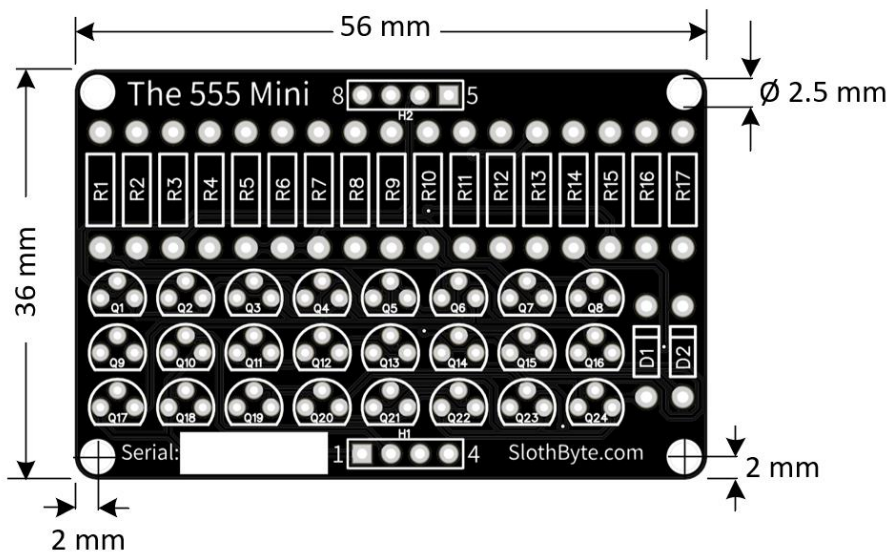


### Kit Contents\*



\*Colour of components may differ.

### Measurements (not to scale)





### Technical Data

<b>Dimensions (W x H):</b>	56 x 36 mm
<b>PCB Thickness:</b>	1.6 mm
<b>Power Supply:</b>	5 V dc

### Extent of supply

PCB
All components*
Detailed assembly instructions**

\* If purchased as a kit.

\*\* pdf download link included with order.

This product is an educational hobby kit; it is not for use in life-critical systems or where failure could lead to the risk of injury or death. The technical data contained herein has been provided solely for informational purposes and is not legally binding. This datasheet is subject to change, technical or otherwise.

